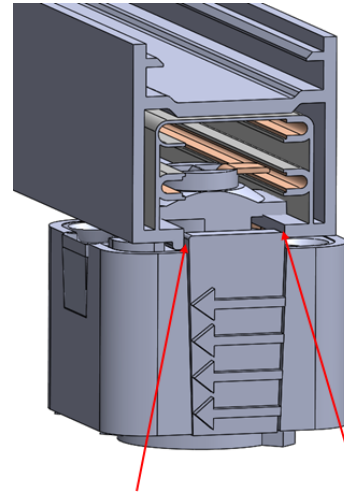


SAVE THESE INSTRUCTIONS

Pull down latch and rotate adapter box in the opposite direction of the arrows. Continue to rotate until the latch snaps in place between the two track rails.

Final Position



clarity line

Latch on adapter Rotate in the direction of the "Install" arrow Continue to depress latch until final position

Latch snaps into place between rails

Second Circuit Positioning

1. Hold onto Adapter Box with one hand
2. Place the end of a flat head screw driver under the contact shown below
3. Gently pull up, the contact should move vertically until hitting a hard stop
4. Follow instructions for inserting into track

Find contact above the ground contact.
This is the only contact that is adjustable.

Final Position

Ground contact